

Get Real...

...Real Solutions For Global Networks

www.niksun.com

NetVCR[®]

End to End Performance Monitoring Appliance

Offering a cost-effective and comprehensive network monitoring solution



NIKSUN, Inc.
1100 Cornwall Road
Monmouth Junction, NJ 08852
P +1.732.821.5000
F +1.732.821.6000
E info@niksun.com

Highlights

- Non-Intrusive SLA/QoS Management Appliance
- Multi-Vendor, Multi-Network Solution
- Remote & Multi-User Network Monitoring
- NIKSUN Summary

Overview

How do you deliver quality of service in a multi-network environment consisting of equipment from different vendors?

NIKSUN's NetVCR offers the capability for non-intrusive monitoring of Internet, Intranet, and enterprise data information in a multi-networked environment consisting of varied platforms.

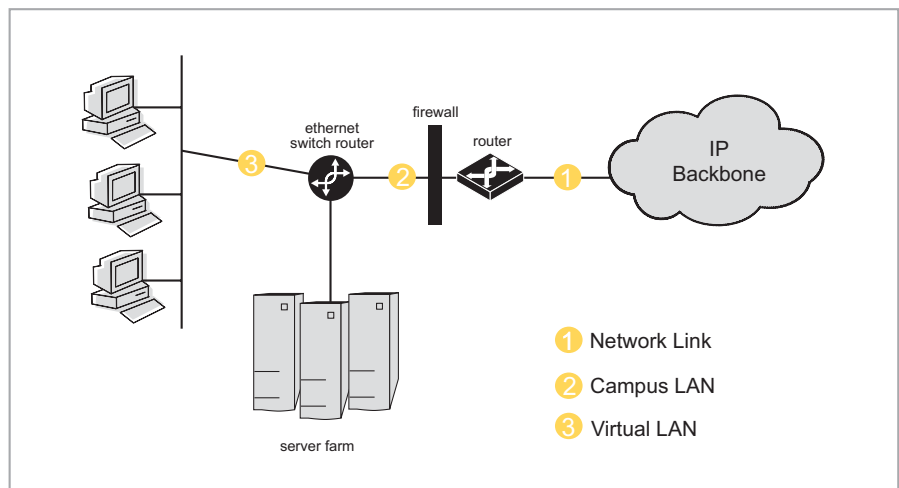
NIKSUN's technology is capable of passively analyzing data at wire-rates without the need to poll information from network elements, audit logs, server tables, etc. This state-of-the-art technology allows for complete proactive monitoring of integrated network services in real-time covering network layers 2-7.

Using the data gathered from a variety of interfaces, ranging from low speed fractional T1/E1 rates to Gigabit rates, in the Local Area Network (LAN), Metropolitan Area Network (MAN), and Wide Area Network (WAN) environment.

NetVCR, a truly breakthrough appliance, provides solutions for:

- Service Level Agreement (SLA) Management
- End-to-End Performance Monitoring
- IP Billing
- Network Performance and Bandwidth Analysis
- Post Event Troubleshooting and Analysis
- Network Trending and Optimization

By strategically placing the NetVCR appliance within your network, it becomes possible to not only monitor end-to-end network performance (SLA/QoS), but also to collect application performance metrics indicative of your perceived quality of service. Real-time and scheduled reports then allow a network manager or a service provider to proactively manage and allocate resources to increase customer satisfaction.



NetVCRs can be deployed on WAN, Gigabit Ethernet, or local work groups.

NetVCR Suite

- NetVCR appliance
- DNetVCR
- Configurable file export

Non-Intrusive & Zero-Risk Monitoring

NIKSUN supports a variety of network interfaces with non-intrusive taps to ensure that the integration of NetVCR appliances into a production environment is hassle-free. Supported network interfaces include: T1/E1, T3/E3, OC-3, 10/100 Ethernet, Gigabit Ethernet (both copper and fiber), etc.

Non-intrusive monitoring provides a risk-free mechanism for monitoring network performance. It ensures there is no impact on production service regardless of the network load, power conditions, appliance health, etc.

Benefits of NetVCR

NetVCR provides a comprehensive, customized solution that dramatically reduces the cost of managing network quality of service. By integrating a variety of capabilities in self-contained architecture, a single NetVCR appliance can support a variety of applications. Each NetVCR comes bundled with the capability to:

- Record traffic (from layer 2 thru 7) for post-event analysis - acting in a similar manner to a protocol analyzer.
- Report a variety of statistics based upon actual network traffic and usage
- Provide customized reports tailored to your environment which enhance your ability to perform capacity planning, vendor management, and network operations functions.

Operational Capabilities

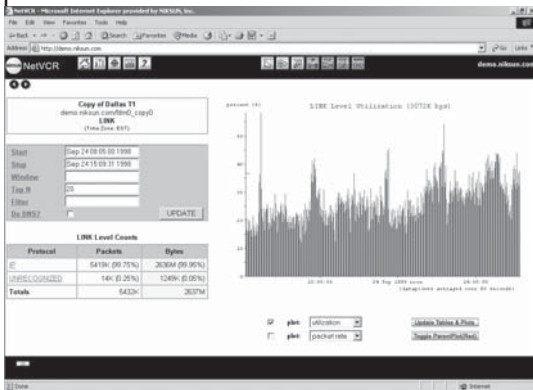
NetVCR's unique Java based graphical user interface (GUI) requires no special software other than a Web browser for interfacing and accessing the appliance. Multiple users can simultaneously browse the information produced by the appliances. This feature allows for easy collaboration for mining the information across the globe. For example, two network administrators from New York and London can simultaneously view the same information while trying to reduce an interoperability problem between the two locations

Individual access restrictions can be applied to ensure proper role based access control in line with enterprise-wide standards.

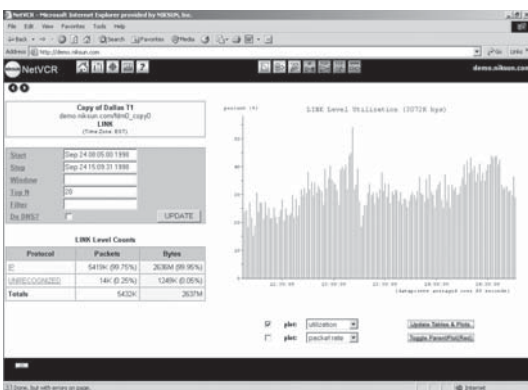
Each NetVCR appliance can be remotely configured and managed (via the standard Web interface), minimizing maintenance costs in a remote/branch office scenario.

Large Scale Deployment and Management of NetVCR

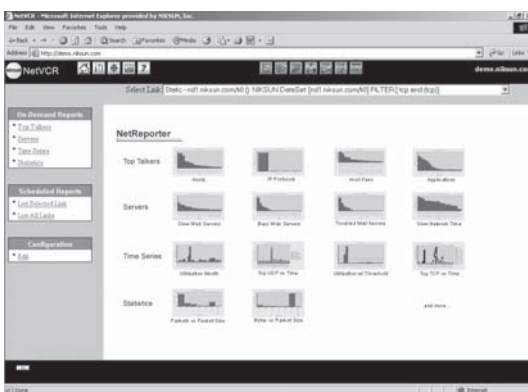
When deployed in large quantities, such as in a carrier or large enterprise environment, NetVCR can be organized in hierarchical domains or zones. These zones can be defined based on Autonomous System, Department, Geographic Location, or any other logical criteria appropriate to your environment.



Link Level Analytical View



Filtered Time Specific View



Create real-time standard reports or export the data to Excel for user defined reports

When organized in NetVCR-zones, data and reports from each NetVCR appliance can be easily accessed by its “controlling” NetVCR. This capability allows NetVCRs to scale in carrier environments. This feature greatly simplifies the management tasks by consolidating the functions of a large number of NetVCRs. This capability is referred to as Distributed NetVCR (DNetVCR). Using the DNetVCR capability, you can manage not only the NetVCR appliances and the data they have collected.

Reports

NetReporter provides you with an intuitive, easy to use, and powerful set of reporting capabilities. It enables you to gain tremendous insight into network usage for planning, troubleshooting, charge-back, optimization, and security.

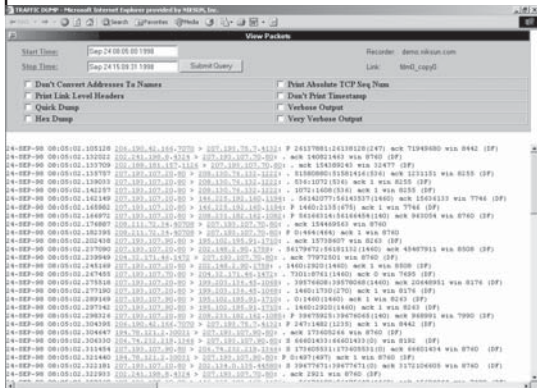
NetReporter provides the key ingredients to make better use of NetVCR’s powerful analysis capabilities. This module allows the user to generate reports from link layer to the application layer performance. Reports can be scheduled to be automatically generated and e-mailed on a daily, weekly, and monthly basis. On-demand reports are also available. The users can generate network performance reports on any time period from the historical data in the proprietary NIKSUN database. Reports can then be e-mailed in the PDF or HTML format.

By selecting the embedded URL within the reports, the analysis screen of the NetVCR showing the traffic related to the contents of the report is displayed. This screen provides a easy access to the powerful NetVCR analysis engine. Powerful authentication and authorization capabilities guard against any un-authorized access. You can further download reports in the PDF format or download report data in the comma separated value (CSV) format to import it into other third party applications.

A wide array of reports are supported including Frame Relay QoS (forward and backward explicit congestion notifications) reports, protocol distribution, link utilization with threshold indication, server and application performance, top talker, top N host, top N host pairs, etc. Other statistic reports such as packet rates, byte counts, and bit rates on a protocol or application basis are also available.

NetX Suite

To enable you to make even better, more efficient use of NetVCR data, NetX Suite provides you a network-wide performance view of the network. The Analysis, Monitoring, and Reporting (AMR) Module enables you to generate consolidated and aggregated reports. By aggregating all NetVCR data in your network, NetX provides you with



NetVCR allows you to analyze TCP Flows, including data reconstruction

a global view of your entire network. These reports can be automatically created based upon various time periods of reporting for the types of information most required by various users – link utilization, TCP performance, application usage, host pairs, Top “N” talkers, world wide Web performance, etc.

Moreover, the NetX Suite — AMR Module provides you an ease-of-use GUI to configure and manage all the NetVCRs on the network.

Interoperable with 3rd Party Applications

NetVCR allows users to capture the data being displayed in a text file suitable for offline processing. It supports industry standard tcpdump format (.pcap). Data generated can be imported into 3rd party applications for other use.

Furthermore, NetVCR’s Configurable File Export module provides you with a flexible mechanism to export NetVCR data. Metrics, file format, and export intervals are all configurable. Data files can be accessed remotely via FTP. Data generated, including IP Detailed Record (IPDR), can be directed into other applications to enable support for IP Billing and other applications.

Modular Architecture for Future Expandability

NetVCR’s modular architecture allows for effortless expandability and adaptability in monitoring applications and services in the future. The layered and modular system architecture allows for simple expansions of new applications and services without the need for replacing the entire appliance.

The NIKSUN Software Development Kit (SDK) is available for easy in-house customization. It allows the users to create custom applications for the monitoring and management of non-standard applications and services.

Summary

NetVCR is a comprehensive, multi-network, multi-user appliance that not only provides all the necessary information to manage service level agreements, but also acts as the perfect solution for end-to-end network performance monitoring.

Get Real...

...Real Solutions For Global Networks



NIKSUN, Inc.
1100 Cornwall Road
Monmouth Junction, NJ 08852
P +1.732.821.5000
F +1.732.821.6000
E info@niksun.com

www.niksun.com